


FEATURES:

- ✓ Architectural luminaire with direct or direct-indirect distribution.
- ✓ Light source: LED board (5.5"/11"/22"/24").
- ✓ Diffused illumination is provided by high efficiency frosted opal lens.
- ✓ Suitable for surface, suspended and recessed installations.
- ✓ Extruded aluminum body comes with white, black or grey finish.
- ✓ Also available with custom color options.
- ✓ LED Strips are rated for 60,000hrs. L80 with +90 CRI.
- ✓ Has a proven record in office, commercial and retail installations.
- ✓ Custom modifications are available.
- ✓ ED luminaires are certified to CSA and UL Standards.

reinventlight

SPECIFICATION:

ED RECTANGLE+ SIZE — SOURCE — RADIANCE — VOLTAGE — DRIVER — MOUNTING — LENS — FINISH — CCT — OPTIONS

Enter the order code into the boxes above.

SIZE

- 1x2 Feet
- 1x3 Feet
- 1x4 Feet
- *

*Specify required size.

SOURCE

- 25WLED
- 50WLED

*Other Wattages are available.

RADIANCE

- DD - Direct (100%Down)
- ID - Indirect (100%Up)**
- UD - Uneven(70%Down/30%Up)**
- IL - Inner Lit (100% Inward)
- OL - Outer Lit (100%Outward)

*Light Distribution.

**Suspended Configuration only.

VOLTAGE

- 120V
- 277V
- 347V*

*Not available for all configurations.

DRIVER

- ST - Standard (Non-Dimming)
- DL - 0-10V Dimming (1%)
- DA - DALI
- *

* Please specify dimming method (ELV).

MOUNTING

- S4-Suspension 4Feet
- S6-Suspension 6Feet
- S Feet*
- WM - Wall Mount
- SF - Surface Mount
- RT - Recessed Trimless

*Please specify required Length.

LENS

- OP - Opal

FINISH

- WH - White
- BK - Black
- GR - Grey
- CF - Custom RAL#

CCT

- 30K - 3000Kelvin/90CRI
- 35K - 3500Kelvin/90CRI
- 40K - 4000Kelvin/90CRI
- TW - Tunable White** (2700K-6500K)

*Other options are available.

**Available with Dali controls.

OPTIONS

- No Options*
- DS-Daylight Sensor
- DC - Dual Circuit**
- OS - Occupancy Sensor
- DOS - Daylight & Occupancy Sensor

*Leave Empty.

**Down /Up Control separately.

LUMEN OUTPUT:

| Watts | 30K | 35K | 40K |
|-------|---------|---------|---------|
| 25W | 2610 lm | 2650 lm | 2690 lm |
| 50W | 5150 lm | 5250 lm | 5380 lm |

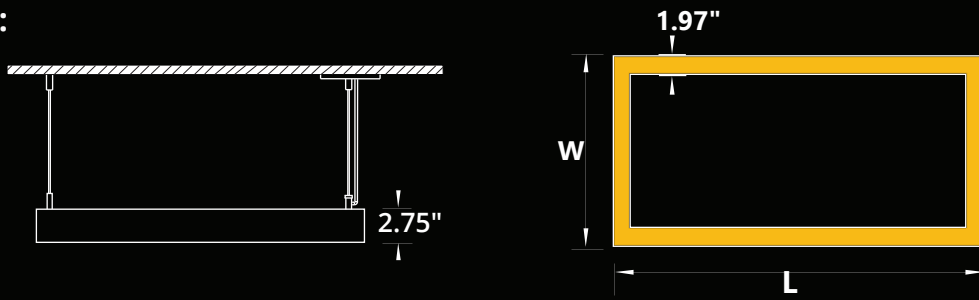


Declare.

Project:

Type:

SIZE:



| Size | Width x Length |
|----------|-----------------|
| 1x2 Feet | 13.5x24.50 Inch |
| 1x3 Feet | 13.5x35.50 Inch |
| 1x4 Feet | 13.5x46.50 Inch |

RADIANCE:

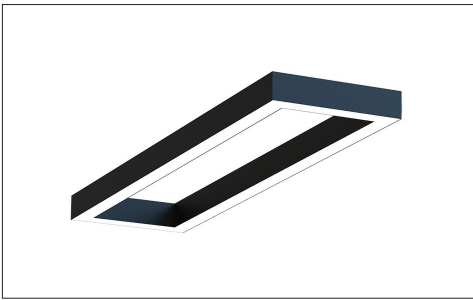
DIRECT DISTRIBUTION



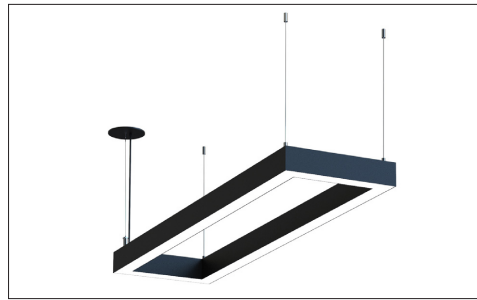
UNEVEN DISTRIBUTION



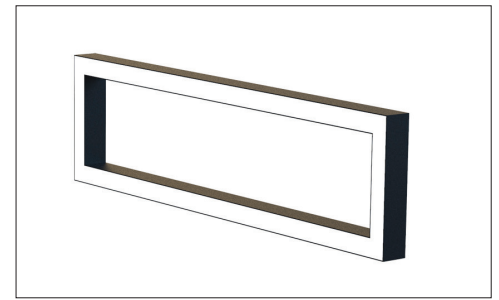
MOUNTING:



SURFACE MOUNT



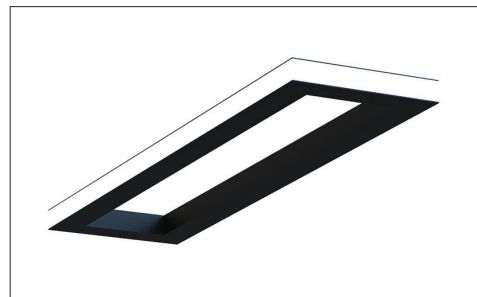
SUSPENDED



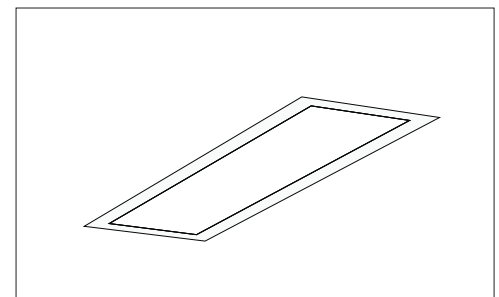
WALL MOUNT



INNER LIT



OUTER LIT



RECESSED TRIMLESS