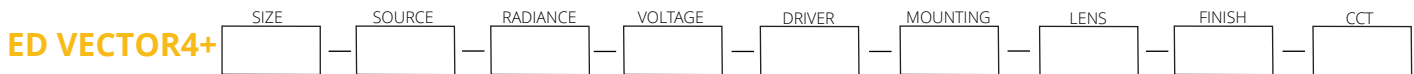

FEATURES:

- ✓ Architectural linear luminaire with direct distribution.
- ✓ Light source: LED board (5.5"/11"/22"/24").
- ✓ Diffused illumination is provided by regressed opal lens.
- ✓ Available for row mounted installations in various lengths.
- ✓ Suitable for recessed, recessed T-Bar installations.
- ✓ Extruded aluminum body comes in white, black or grey finish.
- ✓ Also available with various custom color options.
- ✓ LED Strips are rated for 60,000hrs. L80 with +90 CRI.
- ✓ Has a proven record in office, commercial and retail installations.
- ✓ Custom modifications are available.
- ✓ ED luminaires are certified to CSA and UL Standards.

reinventlight

SPECIFICATION:


Enter the Product Code into the boxes above.

SIZE _____ Feet <input type="checkbox"/> 5W/Ft LED <input type="checkbox"/> 7W/Ft LED <input type="checkbox"/> 10W/Ft LED	SOURCE <input type="checkbox"/> 5W/Ft LED <input type="checkbox"/> 7W/Ft LED <input type="checkbox"/> 10W/Ft LED	RADIANCE <input type="checkbox"/> DD - Direct (100%Down) <small>*Light Distribution.</small>	VOLTAGE <input type="checkbox"/> 120V <input type="checkbox"/> 277V <input type="checkbox"/> 347V* <small>*Not available for all configurations.</small>	DRIVER <input type="checkbox"/> ST - Standard <input type="checkbox"/> DL - 0-10V Dimming (1%) <input type="checkbox"/> DA - DALI <input type="checkbox"/> WZ - Wiz*** <input type="checkbox"/> <input type="text"/> * <input type="checkbox"/> EC - Emergency Circuit <input type="checkbox"/> EM - Emergency** <small>* Please specify dimming method (ELV). **Battery Pack per 4Feet section. ***Remote driver only.</small>	MOUNTING <input type="checkbox"/> RS - Recessed <input type="checkbox"/> RB - Recessed T-Bar
LENS <input type="checkbox"/> OR - Opal Regressed	FINISH <input type="checkbox"/> WH - White <input type="checkbox"/> BK - Black <input type="checkbox"/> GR - Grey <input type="checkbox"/> CF - Custom <input type="text"/> RAL#	CCT <input type="checkbox"/> 30K - 3000Kelvin/90CRI <input type="checkbox"/> 35K - 3500Kelvin/90CRI <input type="checkbox"/> 40K - 4000Kelvin/90CRI <input type="checkbox"/> RGBW <input type="checkbox"/> TW - Tunable White** (2700K-6500K) <small>*Other options are available. **Available with 0-10V,Dali or Bluetooth controls.</small>	OPTIONS <input type="checkbox"/> No Options* <input type="checkbox"/> DR - Damp Rated <input type="checkbox"/> DS - Daylight Sensor <input type="checkbox"/> OS - Occupancy Sensor <input type="checkbox"/> DOS - Daylight & Occupancy Sensor <small>*Leave Empty. **Down /Up Control separately. ***Combination example (DR/DS).</small>		

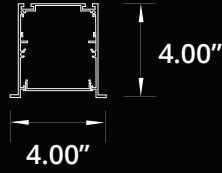
LUMEN OUTPUT W/Ft:

Watts	30K	35K	40K
5W	515 lm	525 lm	535 lm
7W	720 lm	735 lm	750 lm
10W	1030 lm	1050 lm	1080 lm

Project:

Type:

SIZE:



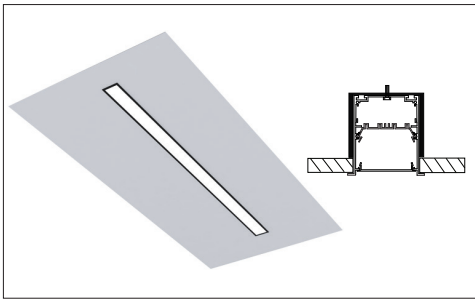
Size	L(CUTOUT)	L1(T-BAR)
1 Foot	11.825 Inch	11.75 Inch
2 Feet	24.575 Inch	23.75 Inch
3 Feet	35.572 Inch	35.75 Inch
4 Feet	48.322 Inch	47.75 Inch
5 Feet	59.325 Inch	59.75 Inch
6 Feet	72.075 Inch	71.75 Inch
7 Feet	83.075 Inch	83.75 Inch
8 Feet	95.822 Inch	95.75 Inch

RADIANCE:

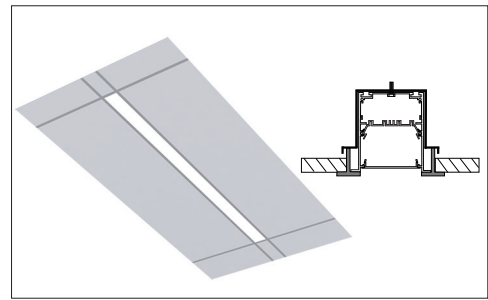
DIRECT DISTRIBUTION



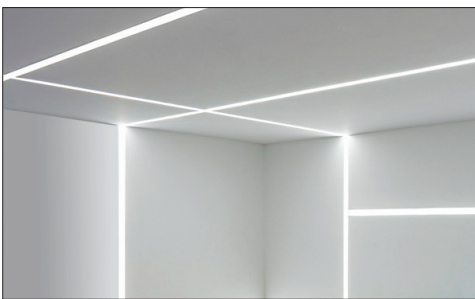
MOUNTING:



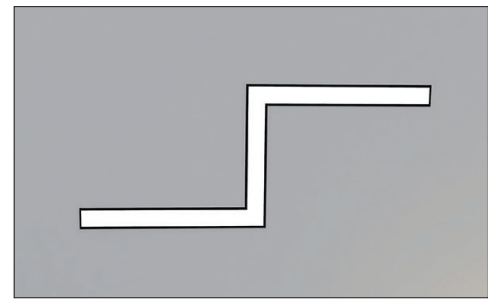
RECESSED



RECESSED T-BAR



90° IN (WALL TO CEILING)



90° LEFT/90° RIGHT