
**FEATURES:**

- ✓ Architectural linear luminaire with direct distribution.
- ✓ Light source: LED board (5.5"/11"/22"/24").
- ✓ Even illumination is provided by variety of high efficiency optic lenses.
- ✓ Available for row mounted installations in various lengths.
- ✓ Suitable for recessed, recessed T-Bar and damp area installations.
- ✓ Extruded aluminum body comes in white, black or grey finish.
- ✓ Also available with various custom color options.
- ✓ LED Strips are rated for 60,000hrs. L80 with +90 CRI.
- ✓ Has a proven record in office, commercial and retail installations.
- ✓ Custom modifications are available.
- ✓ ED luminaires are certified to CSA and UL Standards.

reinventlight

**SPECIFICATION:**

**ED VECTOR+**  SIZE —  SOURCE —  RADIANCE —  VOLTAGE —  DRIVER —  MOUNTING —  LENS —  FINISH —  CCT —  OPTIONS

Enter the Product Code into the boxes above.

**SIZE**

\_\_\_\_\_Feet

**SOURCE**

- 5W/Ft LED
- 7W/Ft LED
- 10W/Ft LED

**RADIANCE**

- DD - Direct (100%Down)
- \*Light Distribution.

**VOLTAGE**

- 120V
- 277V
- 347V\*

\*Not available for all configurations.

**DRIVER**

- ST - Standard
- DL - 0-10V Dimming (1%)
- DA - DALI
- WZ - Wiz\*\*\*
- \*
- EC - Emergency Circuit
- EM - Emergency\*\*

\* Please specify dimming method (ELV).

\*\*Battery Pack per 4Feet section.

\*\*\*Remote driver only.

**MOUNTING**

- RS - Recessed
- RB - Recessed T-Bar

**LENS**

- OP - Opal
- WW - Wall Wash
- PR - Prismatic
- BL - Black Lens
- AR - Aluminum Reflector\*

\* Available for 4Feet only (Actual length included).

**FINISH**

- WH - White
- BK - Black
- GR - Grey
- CF - Custom

**CCT**

- 30K - 3000Kelvin/90CRI
- 35K - 3500Kelvin/90CRI
- 40K - 4000Kelvin/90CRI
- RGBW
- TW - Tunable White\*\* (2700K-6500K)

\*Other options are available.

\*\*Available with 0-10V,Dali or Bluetooth controls.

**OPTIONS**

- No Options\*
- DR - Damp Rated
- DS - Daylight Sensor
- OS - Occupancy Sensor
- DOS - Daylight & Occupancy Sensor

\*Leave Empty.

\*\*Combination example (DR/DS).

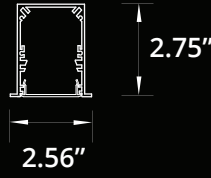
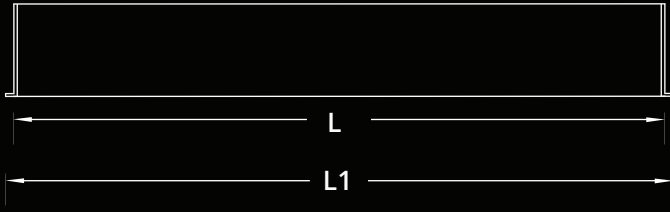
**LUMEN OUTPUT W/Ft:**

Watts	30K	35K	40K
5W	515 lm	525 lm	535 lm
7W	720 lm	735 lm	750 lm
10W	1030lm	1050 lm	1080 lm

 Project: 

 Type:

**SIZE:**



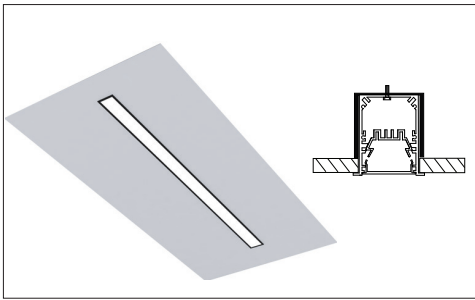
Size	L(CUTOUT)	L1(T-BAR)
1 Foot	13.325 Inch	11.750 Inch
2 Feet	26.075 Inch	23.750 Inch
3 Feet	37.075 Inch	35.750 Inch
4 Feet	49.825 Inch	47.750 Inch
5 Feet	60.825 Inch	59.750 Inch
6 Feet	73.575 Inch	71.750 Inch
7 Feet	84.575 Inch	83.750 Inch
8 Feet	97.325 Inch	95.750 Inch

**RADIANCE:**

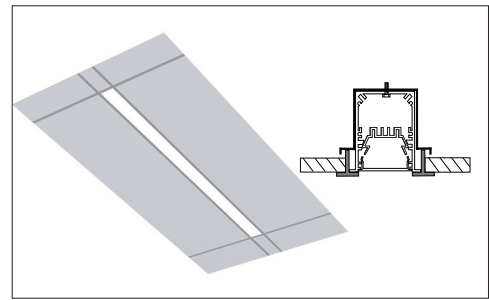
**DIRECT DISTRIBUTION**



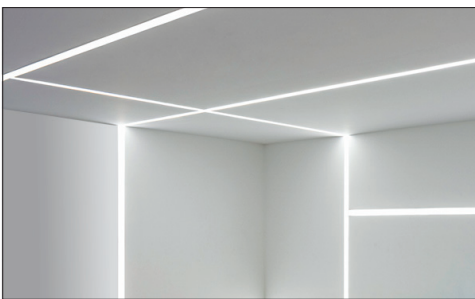
**MOUNTING:**



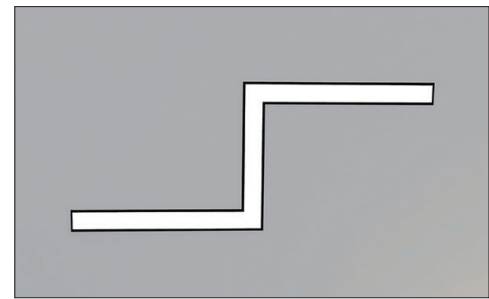
RECESSED



RECESSED T-BAR



90° IN (WALL TO CEILING)



RECESSED-90° LEFT/90° RIGHT