
FEATURES:

- ✓ Architectural linear luminaire with direct distribution.
- ✓ Light source: 11" LED Modular board.
- ✓ Dark Optic provides superior lighting distribution with precise low glare illumination.
- ✓ Offered with Regular 50°/10UGR, Flood 80°/15UGR or Asymmetric beam angle.
- ✓ Available for row mounted installations in various lengths.
- ✓ Suitable for recessed installation in to drywall or T-Bar.
- ✓ Extruded aluminum body comes with white, black or grey finish.
- ✓ Also available with custom color options.
- ✓ LED's are rated for 60,000hrs. L80 with +90CRI.
- ✓ Has a proven record in office, commercial and retail installations.
- ✓ Custom modifications are available.
- ✓ ED luminaires are certified to CSA and UL Standards. **reinventlight**

SPECIFICATION:

ED VECTOR+ - - - - - - - - - - -

Enter the Product Code into the boxes above.

TYPE <input type="checkbox"/> DO - Dark Optic	SIZE <input type="text"/> Feet* <small>* 1Foot increment only.</small>	SOURCE <input type="checkbox"/> 5W/Ft LED <input type="checkbox"/> 7W/Ft LED <input type="checkbox"/> 10W/Ft LED	RADIANCE <input type="checkbox"/> DD - Direct (100%Down) <small>*Light Distribution.</small>	VOLTAGE <input type="checkbox"/> 120V <input type="checkbox"/> 277V <input type="checkbox"/> 347V* <small>*Not available for all configurations.</small>	DRIVER <input type="checkbox"/> ST - Standard (Non-Dimming) <input type="checkbox"/> DL - 0-10V Dimming (1%) <input type="checkbox"/> DA - DALI <input type="checkbox"/> BT - Bluetooth <input type="checkbox"/> <input type="text"/> * <input type="checkbox"/> EC - Emergency Circuit <input type="checkbox"/> EM - Emergency** <small>*Please specify dimming method. **Battery Pack per 4Feet section.</small>
---	---	--	---	---	--

MOUNTING <input type="checkbox"/> RS - Recessed <input type="checkbox"/> RB - Recessed T-Bar	REFLECTOR <input type="checkbox"/> WH - White <input type="checkbox"/> BK - Black <input type="checkbox"/> SL - Silver	LENS <input type="checkbox"/> RB - Regular 50° <input type="checkbox"/> FB - Flood 80° <input type="checkbox"/> AB - Asymmetric	FINISH <input type="checkbox"/> WH - White <input type="checkbox"/> BK - Black <input type="checkbox"/> GR - Grey <input type="checkbox"/> CF - Custom <input type="text"/> RAL#	CCT <input type="checkbox"/> 30K/90CRI - 3000Kelvin <input type="checkbox"/> 35K/90CRI - 3500Kelvin <input type="checkbox"/> 40K/90CRI - 4000Kelvin
---	--	---	---	---

LUMEN OUTPUT W/Ft:

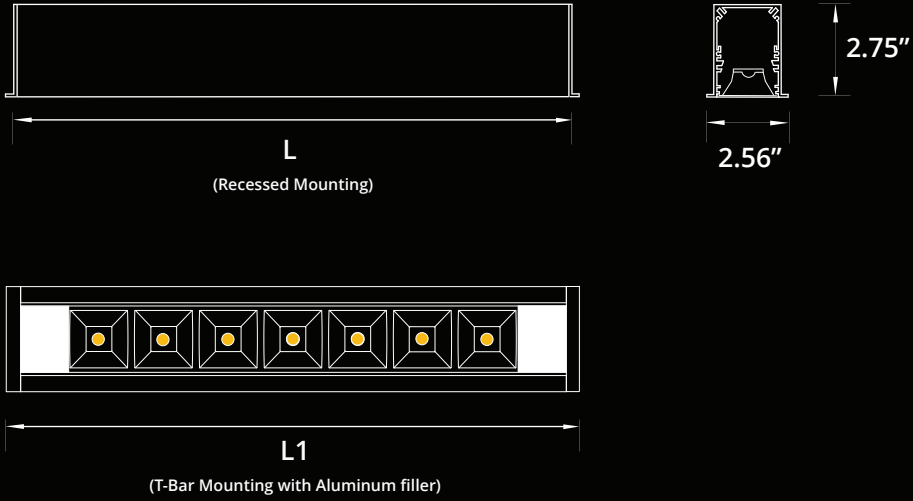
Watts	30K	35K	40K
5W	610 lm	625 lm	640 lm
7W	855 lm	875 lm	895 lm
10W	1225lm	1250 lm	1275 lm



Project:

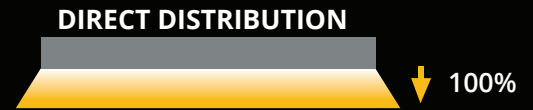
Type:

SIZE:

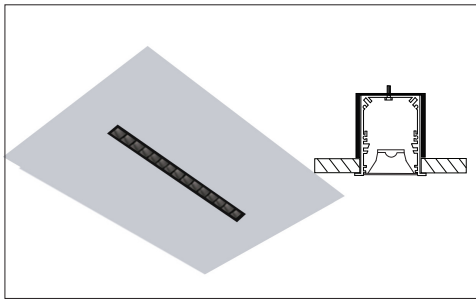


Size	L(CUTOUT)	L1(T-BAR)	LED Strips
1 Feet	11.31 Inch	11.75 Inch	1x11"
2 Feet	22.29 Inch	23.75 Inch	2x11"
3 Feet	33.28 Inch	35.75 Inch	3x11"
4 Feet	48.00 Inch	47.75 Inch	4x11"
5 Feet	60.00 Inch	59.75 Inch	5x11"
6 Feet	72.00 Inch	71.75 Inch	6x11"
7 Feet	84.00 Inch	83.75 Inch	7x11"
8 Feet	96.00 Inch	95.75 Inch	8x11"

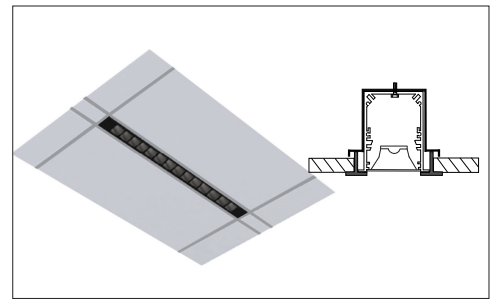
RADIANCE:



MOUNTING:



RECESSED



RECESSED T-BAR

BEAMS:

